



noxa

# fan coil units overview

**NOXA** is a **European brand in the HVAC industry**. It was established in response to the needs of customers who primarily expect **functional and intuitive equipment that is cost-effective, ecological and economical, as well as available off-the-shelf**.

The brand is owned by an experienced distributor of HVAC solutions. The company provides sales (equipment, accessories and spare parts) and after-sales support, including service requests, trainings and marketing assistance.

The main warehouse of the NOXA units is located in **Kobyłka close to Warsaw**. This guarantees ongoing availability and efficient logistics of the equipment year-round.

All units from the NOXA range comply with any European legal, energy and environmental standards, and the number of users in Europe is growing steadily. The Noxa offer includes the following types of units for both residential and commercial use.



klimatyzacja



wentylacja



pompy ciepła



woda lodowa

**In combination with chillers, the NOXA fan coils provide a highly efficient air-conditioning system.** NOXA units are distinguished by their high efficiency, application flexibility and state-of-the-art technology. They are designed for both space heating and cooling, making them a comprehensive solution for different types and volumes of buildings. Residences, office buildings, hospitals, restaurants, shopping centres, railway stations and even stadiums are just a few examples of the types of projects where NOXA fan coil units have been successfully implemented across the whole country.

The units are suitable **for two- and four-pipe systems**, adapting to different interior designs. **Quiet operation**, efficient fans with **DC motors** and advanced control options, including **integration with BMS systems**, increase comfort and energy efficiency. NOXA fan coil units with the heating function **can be combined with any type of heat pump** (including all Tropic models in the NOXA range), as well as **with chillers**. If non-standard parameters are required, our technical and sales advisors will, with the help of a selection programme, recalculate the equipment for other than nominal parameters. We invite you to familiarise yourself with our offer and contact us at [biuro@noxa.pl](mailto:biuro@noxa.pl).



# Table of contents

4-way cassette fan coil units Standard, Compact	6
1-way cassette fan coil units	14
Ducted fan coil units	16
Wall-mounted fan coil units	28
Ceiling-floor fan coil units	31
Controls	36

## 2-pipe systems

Model / Capacity		150	200	250	300	350	400
4-way cassette fan coil units Standard	NXKA-VxxxR						
4-way cassette fan coil units Compact	NXKD-Vxxx				●		●
1-way cassette fan coil units	NXKC-VxxxR-B				●		●
ducted fan coil units	NXKT3-VxxxG12-CL				●		●
	NXKT2-Vxxx		●		●		●
	NXKT4-Vxxx		●		●		●
wall-mounted fan coil units	NXKG-VxxxC			●	●		●
ceiling-floor fan coil units	NXKH2/H3-VxxxR3			●	●		●
	NXKH2/H3-VxxxR4	●		●		●	

## 4-pipe systems

4-way cassette fan coil units Standard	NXKA-VxxxFA						
4-way cassette fan coil units Compact	NXKD-VxxxFA				●		●
ducted fan coil units	NXKH2/H3-VxxxR3		●		●		●
ceiling-floor fan coil units	NXKH2/H3-VxxxR4	●		●		●	

# Product line-up

500	600	700	750	800	850	950	1000	1200	1400	1500
	•		•		•	•		•		•
•										
	•									
•	•	•					•	•	•	
•	•			•			•	•		
•	•			•			•	•		
•	•			•						
•	•									
•		•		•						

	•		•		•	•				•
•										
•	•			•			•	•		
•		•		•						

# 4-WAY CASSETTE FAN COIL UNITS



Compact series: 575 x 575 mm



RM05/BG9(T)E-A



Standard series: 840 x 840 mm

## Standard features



Heating/cooling



Quiet operation



DC fan motor



2-pipe systems



4-pipe systems



Wireless controller



Group control available



BMS



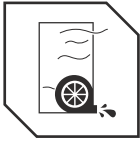
Built-in condensate pump

## Optional functions



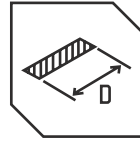
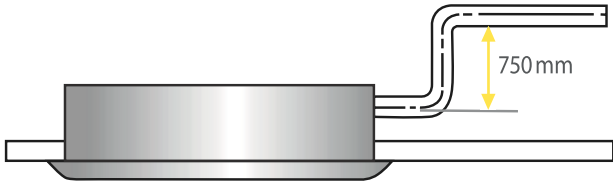
Wired controller

**Noxa 4-way cassette fan coil units**, available in Compact and Standard variants, are efficient and comprehensive units designed for installation in false ceilings. By providing even airflow on four sides, they ensure optimum air distribution in the room, resulting in a high level of comfort. The units are available as 2-pipe and 4-pipe models, providing flexible adaptation to different heating and cooling systems and specific user requirements.



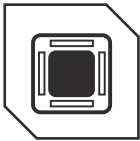
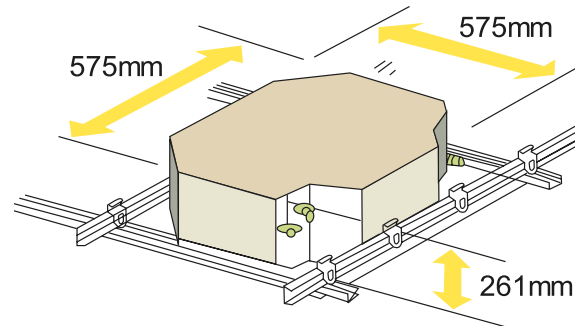
### Condensate drain

The standard-supplied drain pump with lifting height up to 750 mm in Standard unit and 500 mm for Compact cassette.



### Compact dimensions and easy installation

Exceptionally space-saving design of the small Compact cassette suits any room interior and do not need much space for installation in the ceiling void. Compact dimensions and low weight of all Compact cassette models enable installation without using a crane.



### Stylish design

The cassette fan coil panels are neatly integrated into suspended ceilings. Their visible part has a modern appearance that blends discreetly into the interior design without disturbing the aesthetics of the room. The Compact cassettes are fitted as standard with a 360° air supply panel.



### Quiet operation

An improved fan guarantees low noise levels during operation, making these units an ideal choice for offices, meeting rooms or other locations where silence and comfort are required.

# Technical data

## Standard 4-way cassette fan coil units

### 2-PIPE SYSTEM - DC VERSION, MODEL: NXKA-VxxxR

Model			NXKA-V600R	NXKA-V750R	NXKA-V850R	NXKA-V950R	NXKA-V1200R	NXKA-V1500R
Power supply		V/Ph/Hz	230/1/50					
Airflow	Max	m <sup>3</sup> /h	1175	1229	1451	1530	1581	1871
	Med	m <sup>3</sup> /h	987	1020	1146	1224	1371	1415
	Min	m <sup>3</sup> /h	768	810	1012	1101	1236	1198
Cooling capacity at 7/12°C	Max	kW	5.93	6.12	7.52	7.84	7.87	10.7
	Med	kW	5.3	5.45	6.46	6.84	7.12	8.67
	Min	kW	4.4	4.6	5.89	6.35	6.67	7.48
Water flow	Max	m <sup>3</sup> /h	1.06	1.1	1.37	1.43	1.44	1.96
	Med	m <sup>3</sup> /h	0.92	0.96	1.18	1.24	1.28	1.53
	Min	m <sup>3</sup> /h	0.77	0.81	1.07	1.13	1.22	1.28
Water pressure drop	Max	kPa	23.8	26	20.1	22	22.3	36.6
	Med	kPa	19.1	21.3	15.3	17	18.1	22.7
	Min	kPa	13.6	12.4	12.60	14.1	16.3	16.4
Input power	Max	W	41	49	68	75	85	137
	Med	W	30	31	37	42	59	68
	Min	W	20	20	30	34	45	48
Heating capacity at 45/40°C	Max	kW	6.06	6.27	7.88	8.49	9.16	11.86
	Med	kW	5.72	5.88	7.48	8.0	8.54	9.48
	Min	kW	5.32	5.43	6.76	7.35	7.9	8.25
Water flow	Max	m <sup>3</sup> /h	1.3	1.39	1.66	1.71	1.73	2.35
	Med	m <sup>3</sup> /h	1.14	1.2	1.39	1.45	1.57	1.86
	Min	m <sup>3</sup> /h	1.13	1.00	1.25	1.33	1.46	1.59
Water pressure drop	Max	kPa	25.9	30	26.7	28.1	28.8	49.2
	Med	kPa	20.1	22.7	18.8	20.7	24	31.2
	Min	kPa	19.9	16.3	15.6	17.4	20.7	23.3
Input power	Max	W	42	49	66	76	86	130
	Med	W	28	32	37	43	59	60
	Min	W	17	21	28	33	45	41
Sound power level	Max	dB(A)	55	56	57	58	60	61
	Med	dB(A)	51	52	52	54	56	55
	Min	dB(A)	45	46	49	51	53	51
Sound pressure level	Max	dB(A)	43	44	45	46	48	49
	Med	dB(A)	39	40	40	42	44	43
	Min	dB(A)	33	34	37	39	41	39
Nominal input current		A	0.5	0.5	0.6	0.7	0.8	1.1
Heat exchanger	No. of rows		2					
	Max operating pressure	MPa	1.6					
Unit	Dimensions (W x H x L)	mm	840×230×840	840×230×840	840×230×840	840×230×840	840×230×840	840×230×840
	Weight	kg	23	23	23	27	27	29.5
Panel	Dimensions (W x H x L)	mm	950×45×950	950×45×950	950×45×950	950×45×950	950×45×950	950×45×950
	Weight	kg	5.3	5.3	5.3	5.3	5.3	5.3
Pipe connection diameter	inlet/outlet	inch	RC3/4					
	Drainage	mm	ODØ32					



## Standard 4-way cassette fan coil units

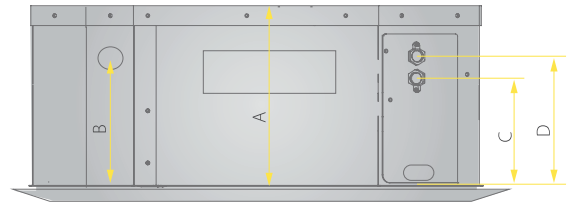
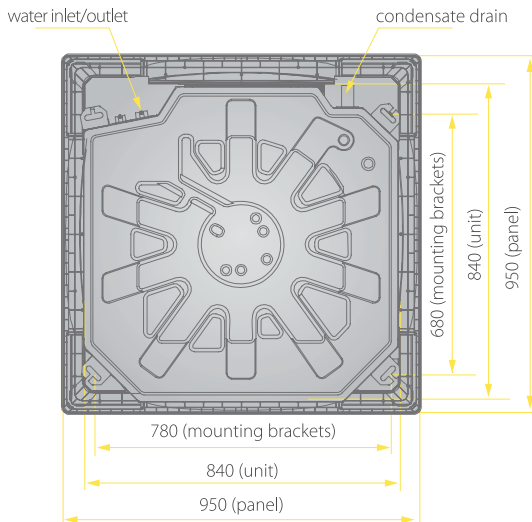
### 4-PIPE SYSTEM - DC VERSION, MODEL: NXKA-VxxxFA

Model			NXKA-V600FA	NXKA-V750FA	NXKA-V850FA	NXKA-V950FA	NXKA-V1200FA	NXKA-V1500FA
Power supply		V/Ph/Hz	230/1/50					
Airflow	Max	m <sup>3</sup> /h	1184	1278	1328	1403	1642	1708
	Med	m <sup>3</sup> /h	997	1057	1052	1115	1421	1297
	Min	m <sup>3</sup> /h	783	855	927	1001	1285	1096
Cooling capacity at 7/12°C	Max	kW	4.96	5.18	5.13	5.31	7.98	8.04
	Med	kW	4.38	4.56	4.41	4.59	7.25	6.62
	Min	kW	3.64	3.88	4.06	4.28	6.7	5.84
Water flow	Max	m <sup>3</sup> /h	0.9	0.94	0.93	0.96	1.42	1.43
	Med	m <sup>3</sup> /h	0.8	0.83	0.81	0.84	1.29	1.19
	Min	m <sup>3</sup> /h	0.67	0.71	0.75	0.78	1.2	1.05
Water pressure drop	Max	kPa	14.8	15.9	16	16.4	33.9	33
	Med	kPa	11.5	12.4	14.2	12.6	30	22.6
	Min	kPa	8.1	9.0	10.4	10.9	24	17.7
Input power	Max	W	62	72	80	90	121	139
	Med	W	44	50	49	54	83	70
	Min	W	30	35	40	43	66	49
Heating capacity at 45/40°C	Max	kW	6.15	6.52	6.68	6.74	9.75	9.93
	Med	kW	5.43	5.79	5.75	5.83	8.96	8.33
	Min	kW	4.61	4.94	5.28	5.44	8.42	7.51
Water flow	Max	m <sup>3</sup> /h	0.58	0.61	0.62	0.63	0.89	0.9
	Med	m <sup>3</sup> /h	0.52	0.55	0.54	0.55	0.82	0.76
	Min	m <sup>3</sup> /h	0.45	0.47	0.5	0.52	0.77	0.69
Water pressure drop	Max	kPa	0.64	32	32.6	34	42.4	48.7
	Med	kPa	0.58	25.7	24.7	26.6	36.6	32.5
	Min	kPa	0.5	19.1	21.2	23.5	32.6	27
Input power	Max	W	55	67	75	84	118	125
	Med	W	36	42	41	46	79	64
	Min	W	21	25	31	35	61	42
Sound power level	Max	dB(A)	54	56	57	58	60	61
	Med	dB(A)	49	51	51	53	56	55
	Min	dB(A)	43	45	48	50	54	50
Sound pressure level	Max	dB(A)	42	44	45	46	48	49
	Med	dB(A)	37	39	39	41	44	43
	Min	dB(A)	31	33	36	38	42	38
Nominal input current		A	0.48	0.6	0.72	0.72	1.08	1.32
Heat exchanger	No. of rows		2					
	Max operating pressure	MPa	1.6					
Unit	Dimensions (W x H x L)	mm	840×300×840	840×300×840	840×300×840	840×300×840	840×300×840	840×300×840
	Weight	kg	27.5	27.5	27.5	27.5	27.5	30
Panel	Dimensions (W x H x L)	mm	950×45×950	950×45×950	950×45×950	950×45×950	950×45×950	950×45×950
	Weight	kg	6	6	6	6	6	6
Pipe connection diameter	inlet/outlet	inch	cold water: RC3/4; hot water: RC1/2					
	Drainage	mm	ODØ32					

# Unit dimensions

## Standard 4-way cassette fan coil units

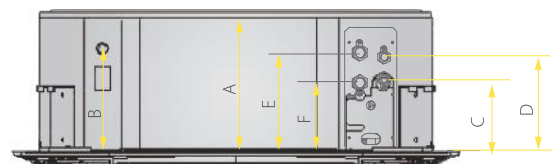
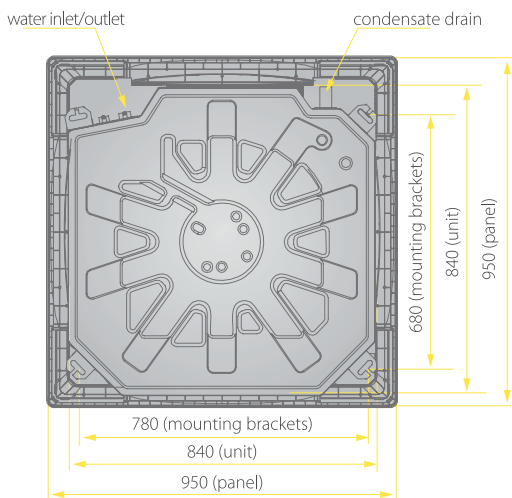
- 2-PIPE SYSTEM; MODEL: NXKA-VxxxR



Model / size [mm]	A	B	C	D
NXKA-V600R NXKA-V750R	230	170	135	185
NXKA-V850R NXKA-V950R NXKA-V1200R NXKA-V1500R	300	190	145	195

## Standard 4-way cassette fan coil units

- 4-PIPE SYSTEM; MODEL: NXKA-VxxxFA



Model / size [mm]	A	B	C	D	E	F
NXKA-V600FA NXKA-V750FA NXKA-V850FA NXKA-V950FA NXKA-V1500FA	300	190	160	210	220	150

# Technical data

## Compact 4-way cassette fan coil units

### 2-PIPE SYSTEM - DC VERSION, MODEL: NXKD-Vxxx

Model			NXKD-V300	NXKD-V400	NXKD-V500
Power supply		V/Ph/Hz	230/1/50		
Airflow	Max	m <sup>3</sup> /h	535	719	781
	Med	m <sup>3</sup> /h	429	477	611
	Min	m <sup>3</sup> /h	322	381	494
Cooling capacity at 7/12°C	Max	kW	2.98	3.96	4.2
	Med	kW	2.53	3.26	3.48
	Min	kW	2	2.76	3.01
Water flow	Max	m <sup>3</sup> /h	0.53	0.7	0.75
	Med	m <sup>3</sup> /h	0.45	0.58	0.61
	Min	m <sup>3</sup> /h	0.35	0.51	0.54
Water pressure drop	Max	kPa	10	11.5	12.3
	Med	kPa	7	8.2	8.6
	Min	kPa	5	6.5	7.4
Input power	Max	W	22.7	37	43
	Med	W	9	15	28
	Min	W	5	19	21
Heating capacity at 45/40°C	Max	kW	2.61	4.08	4.95
	Med	kW	2.31	3.34	3.99
	Min	kW	2.24	2.73	3.26
Water flow	Max	m <sup>3</sup> /h	0.64	0.83	0.87
	Med	m <sup>3</sup> /h	0.54	0.67	0.7
	Min	m <sup>3</sup> /h	0.42	0.56	0.58
Water pressure drop	Max	kPa	12.1	12.7	9.4
	Med	kPa	8.5	8.6	8.2
	Min	kPa	5.3	6	6.1
Input power	Max	W	15	28	33
	Med	W	9	16	18
	Min	W	5	10	11
Sound power level	Max	dB(A)	51	54	55
	Med	dB(A)	45	48	50
	Min	dB(A)	39	42	44
Sound pressure level	Max	dB(A)	39	42	43
	Med	dB(A)	33	36	38
	Min	dB(A)	27	30	32
Nominal input current		A	0.2	0.3	0.3
Heat exchanger	No. of rows		2		
	Max operating pressure	MPa	1.6		
Unit	Dimensions (W x H x L)	mm	575×261×575	575×261×575	575×261×575
	Weight	kg	16.5	16.5	16.5
Panel	Dimensions (W x H x L)	mm	647×50×647	647×50×647	647×50×647
	Weight	kg	2.6	2.6	2.6
Pipe connection diameter	inlet/outlet	inch	G3/4		
	Drainage	mm	ODØ25		

## Compact 4-way cassette fan coil units

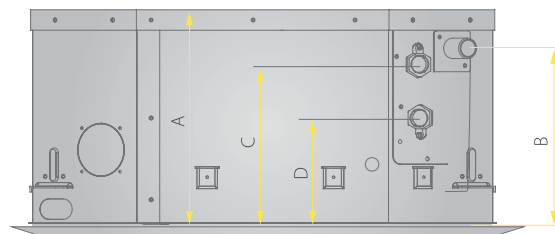
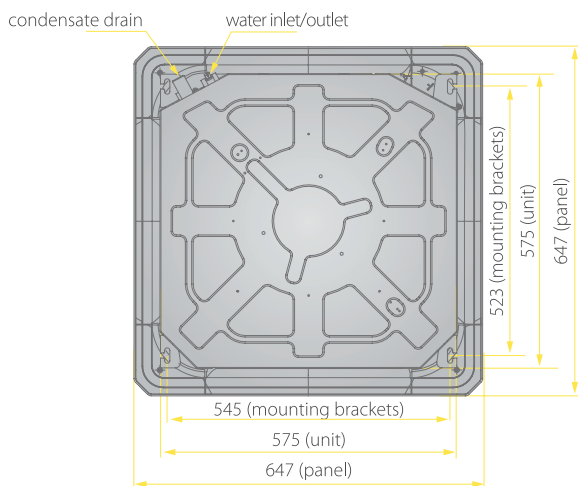
### 4-PIPE SYSTEM - DC VERSION, MODEL: NXKD-Vxxx

Model			NXKD-V300FA	NXKD-V400FA	NXKD-V500FA
Power supply		V/Ph/Hz	230/1/50		
Airflow	Max	m <sup>3</sup> /h	493	669	673
	Med	m <sup>3</sup> /h	395	523	526
	Min	m <sup>3</sup> /h	295	415	425
Cooling capacity at 7/12°C	Max	kW	2.16	2.77	3.1
	Med	kW	1.86	2.38	2.7
	Min	kW	1.49	2.05	2.3
Water flow	Max	m <sup>3</sup> /h	0.42	0.53	0.56
	Med	m <sup>3</sup> /h	0.37	0.46	0.49
	Min	m <sup>3</sup> /h	0.3	0.4	0.43
Water pressure drop	Max	kPa	17.4	13.1	16.8
	Med	kPa	13.5	9.4	13.1
	Min	kPa	9.3	7	10.3
Input power	Max	W	24	38	42
	Med	W	18	35	27
	Min	W	14	30	20
Heating capacity at 45/40°C	Max	kW	3.13	3.71	3.94
	Med	kW	2.63	3.14	3.3
	Min	kW	2.08	2.65	2.83
Water flow	Max	m <sup>3</sup> /h	0.32	0.37	0.42
	Med	m <sup>3</sup> /h	0.28	0.32	0.36
	Min	m <sup>3</sup> /h	0.23	0.28	0.32
Water pressure drop	Max	kPa	23.5	24.1	26.8
	Med	kPa	17.1	17.9	19.2
	Min	kPa	11.3	13.1	14.5
Input power	Max	W	17	32	35
	Med	W	10	18	18
	Min	W	6	11	11
Sound power level	Max	dB(A)	51	54	56
	Med	dB(A)	45	47	51
	Min	dB(A)	39	42	43
Sound pressure level	Max	dB(A)	39	42	44
	Med	dB(A)	33	35	39
	Min	dB(A)	27	30	31
Nominal input current		A	0.24	0.36	0.48
Heat exchanger	No. of rows		2		
	Max operating pressure	MPa	1.6		
Unit	Dimensions (W x H x L)	mm	575×261×575	575×261×575	575×261×575
	Weight	kg	16.7	16.7	16.7
Panel	Dimensions (W x H x L)	mm	647×50×647	647×50×647	647×50×647
	Weight	kg	2.5	2.5	2.5
Pipe connection diameter	inlet/outlet	inch	cold water: G3/4; hot water: G1/2		
	Drainage	mm	ODØ25		

# Unit dimensions

## Compact 4-way cassette fan coil units

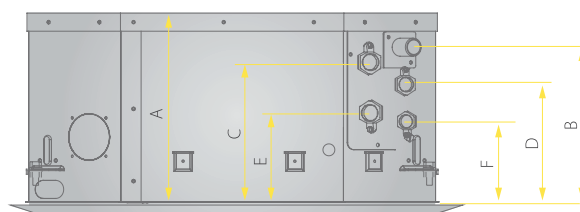
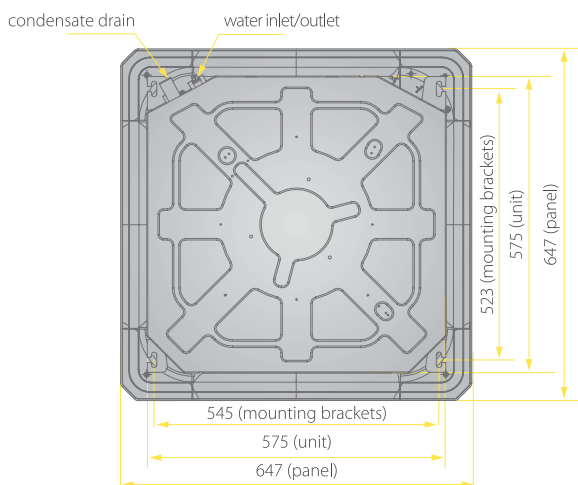
- 2-PIPE SYSTEM; MODEL: NXKD-Vxxx



Model / size [mm]	A	B	C	D
NXKD-V300				
NXKD-V400	261	213	190	124
NXKD-V500				

## Compact 4-way cassette fan coil units

- 4-PIPE SYSTEM; MODEL: NXKD-VxxxFA



Model / size [mm]	A	B	C	D	E	F
NXKD-V300FA						
NXKD-V400FA	261	213	190	157	124	110
NXKD-V500FA						

# 1-WAY\* CASSETTE FAN COIL UNITS



RM05/BC9(T)E-A

## Standard features



Space saving



Built-in condensate pump



Heating/cooling



Quiet operation



1-way flow



Wireless controller



BMS



2-pipe systems



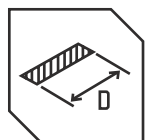
Group control available

## Optional functions



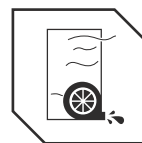
Wired controller

The 1-way Noxa cassette fan coil units are modern and efficient units fully integrated into false ceilings to maximise space savings. Thanks to their one-way air supply, these units provide precise air distribution in a single direction, making them an ideal choice for office, commercial and residential spaces.



### Space saving

The ultra-slim design of the fan coil units makes them an ideal choice for rooms with limited installation space. With a height of just 155 mm (NXKC-300/400 models), these units are among the thinnest on the market, enabling them to be installed in false ceilings with minimal clearance area.



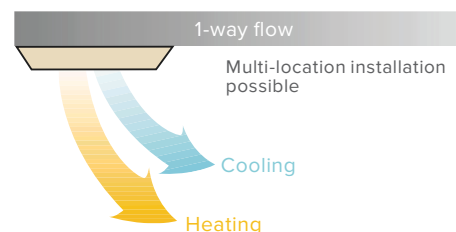
### Built-in condensate pump

1-way cassette fan coil units are equipped with a built-in condensate pump with a head of 750 mm to ensure efficient and safe condensate discharge during operation in cooling mode.



### 1-way flow

The improved one-way air supply ensures comfortable air distribution, preventing so-called dead zones.



\*Product available upon request.

# Technical data

## 1-way cassette fan coil units

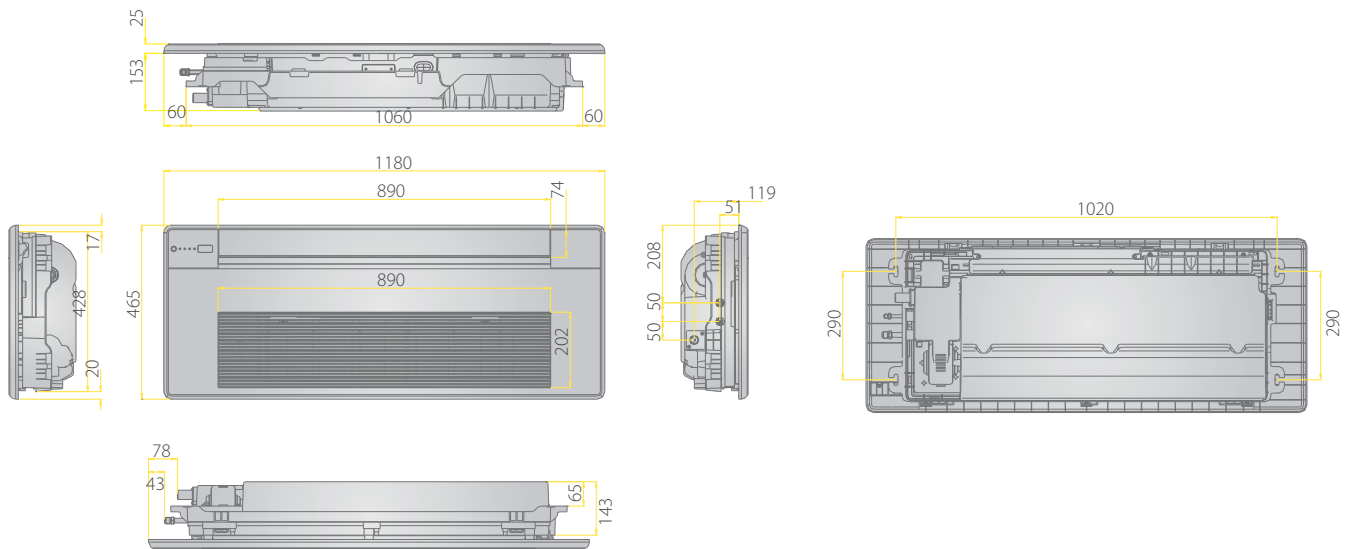
### 2-PIPE SYSTEM - DC VERSION; MODEL: NXKC-VxxxR-B

Model			NXKC-V300R-B	NXKC-V400R-B	NXKC-V600R-B
Power supply		V/Ph/Hz	230/1/50		
Airflow	Max	m <sup>3</sup> /h	510	630	1000
	Med	m <sup>3</sup> /h	432	509	786
	Min	m <sup>3</sup> /h	330	428	583
Cooling capacity at 7/12°C	Max	kW	2.65	3.78	5.2
	Med	kW	2.23	3.43	4.36
	Min	kW	1.68	2.9	3.58
Water flow	Max	m <sup>3</sup> /h	0.49	0.6	0.87
	Med	m <sup>3</sup> /h	0.42	0.52	0.7
	Min	m <sup>3</sup> /h	0.33	0.45	0.55
Water pressure drop	Max	kPa	8.63	23.85	38.22
	Med	kPa	6.26	18.07	28.95
	Min	kPa	3.69	14.8	19.41
Input power	Max	W	22	25	38
	Med	W	18	19	27
	Min	W	14	17	19
Heating capacity at 45/40°C	Max	kW	3.15	4	5.75
	Med	kW	2.83	3.32	4.68
	Min	kW	2.29	2.73	3.6
Water flow	Max	m <sup>3</sup> /h	0.5	0.59	0.86
	Med	m <sup>3</sup> /h	0.42	0.49	0.67
	Min	m <sup>3</sup> /h	0.32	0.42	0.48
Water pressure drop	Max	kPa	13.49	23.62	45.56
	Med	kPa	9.95	20.33	32.26
	Min	kPa	6.84	15.89	18.92
Input power	Max	W	16	25	31
	Med	W	11	12	20
	Min	W	8	10	12
Sound power level	Max	dB(A)	54	48	56
	Med	dB(A)	50	43	50
	Min	dB(A)	43	40	44
Sound pressure level	Max	dB(A)	44.3	36.6	44.6
	Med	dB(A)	40.6	32.6	38.6
	Min	dB(A)	33.5	30.4	33.1
Nominal input current		A	0.39	0.45	0.59
Heat exchanger	No. of rows		2		
	Max operating pressure	MPa	1.6		
Unit	Dimensions (W x H x L)	mm	1054x153x428	1275x189x450	1275x189x450
	Weight	kg	12.5	17.5	17.5
Panel	Dimensions (W x H x L)	mm	1180x25x465	1350 x25x505	1350 x25x505
	Weight	kg	3.5	4	4
Pipe connection diameter	inlet/outlet	inch	RC1/2		
	Drainage	mm	ODØ25		

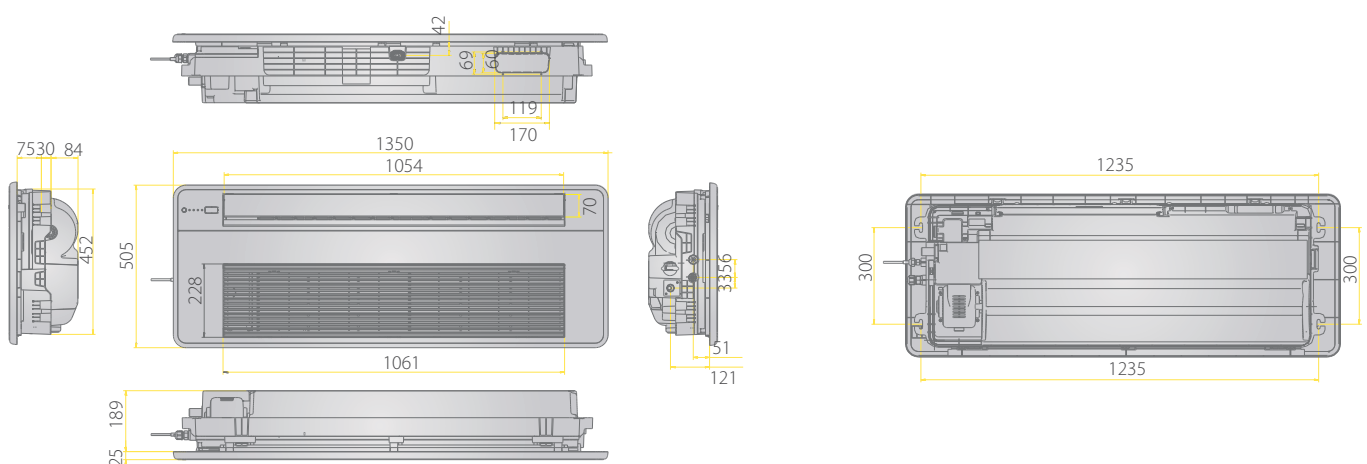
# Unit dimensions

## 1-way cassette fan coil units

- 2-PIPE SYSTEM; MODEL: NXKC-V300R-B



- 2-PIPE SYSTEM; MODELS: NXKC-V400R-B, NXKC-V600R-B



\*dimensions in mm

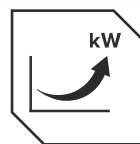


# DUCTED

## FAN COIL UNITS

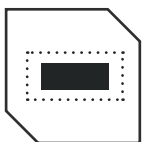


**Noxa ducted fan coils** are innovative products designed for discreet installation in ceiling or technical spaces, ideal for commercial, office, hotel and residential applications. These fan coil units combine cooling and heating functions to provide thermal comfort all year round.



### Capacity and flexibility

These units are available in a variety of capacities, allowing the unit to be tailored to the individual needs of each room, regardless of its volume.



### Discreet installation

Ducted fan coil units are installed in the ceiling or wall space, where the only visible elements are the supply and exhaust grilles. That makes them ideal for interiors where aesthetics and unobstructed interior design are a priority.



### Quiet operation

Thanks to the use of modern fans and proper sound insulation, Noxa ducted fan coil units are extremely quiet, thus making them ideal for use in spaces requiring minimal interference, such as offices or hotels.

## Standard features



Space saving



Built-in condensate pump



Heating/cooling



Quiet operation



Wired controller



2-pipe systems



Group control available



BMS

## Optional functions



Wireless controller

## Technical data

Ducted fan coil units

2-PIPE SYSTEM - 3-ROW EXCHANGER, DC VERSION;

MODEL: NXKT3-VxxxG12-CL

Model			NXKT3-V200G12-CL	NXKT3-V300G12-CL	NXKT3-V400G12-CL	NXKT3-V500G12-CL	NXKT3-V600G12-CL
Power supply		V/Ph/Hz	230/1/50				
Airflow	Max	m <sup>3</sup> /h	374	550	734	800	1022
	Med	m <sup>3</sup> /h	301	421	584	622	810
	Min	m <sup>3</sup> /h	228	307	436	456	552
External static pressure		Pa	12				
Cooling capacity at 7/12°C	Max	kW	2.45	3.35	4.25	4.55	5.85
	Med	kW	2.05	2.89	3.69	3.92	4.88
	Min	kW	1.59	2.21	2.88	2.97	3.66
Water flow	Max	m <sup>3</sup> /h	0.41	0.59	0.76	0.8	1
	Med	m <sup>3</sup> /h	0.35	0.49	0.63	0.67	0.84
	Min	m <sup>3</sup> /h	0.28	0.37	0.49	0.54	0.65
Water pressure drop	Max	kPa	17	23	19	23	34
	Med	kPa	13.7	17.6	14.7	18.9	26.5
	Min	kPa	10.9	10.6	9.4	12.1	16.9
Input power	Max	W	17	23	32	35	59
	Med	W	12	14	21	22	34
	Min	W	8	9	13	13	8
Heating capacity at 45/40°C	Max	kW	2.68	3.95	5.0	5.5	6.9
	Med	kW	2.24	3.25	4.31	4.38	5.66
	Min	kW	1.83	2.51	3.36	3.2	4.21
Water flow	Max	m <sup>3</sup> /h	0.45	0.67	0.89	0.92	1.16
	Med	m <sup>3</sup> /h	0.38	0.55	0.74	0.76	0.96
	Min	m <sup>3</sup> /h	0.33	0.42	0.57	0.59	0.75
Water pressure drop	Max	kPa	17	25	21	25	38
	Med	kPa	13.1	18.1	15.9	19.9	28.7
	Min	kPa	11.8	11.2	9.9	11.9	18.6
Input power	Max	W	17	23	34	37	64
	Med	W	12	15	22	26	36
	Min	W	9	10	13	14	19
Sound pressure level	Max	dB(A)	39.0	37	43	45	49.5
	Med	dB(A)	33.0	31	37.5	39	43.5
	Min	dB(A)	25.0	22.5	30	31	34
Nominal input current		A	0.2	0.3	0.4	0.4	0.6
Heat exchanger	No. of rows		3				
	Max operating pressure	MPa	1.6				
Unit	Dimensions (W x H x L)	mm	632x243x482	773x243x482	908x243x482	908*243*482	1003*243*482
	Weight	kg	14	17.2	19.2	19.2	21.7
Pipe connection diameter	inlet/outlet	inch	RC3/4				
	Drainage	inch	ZG3/4				

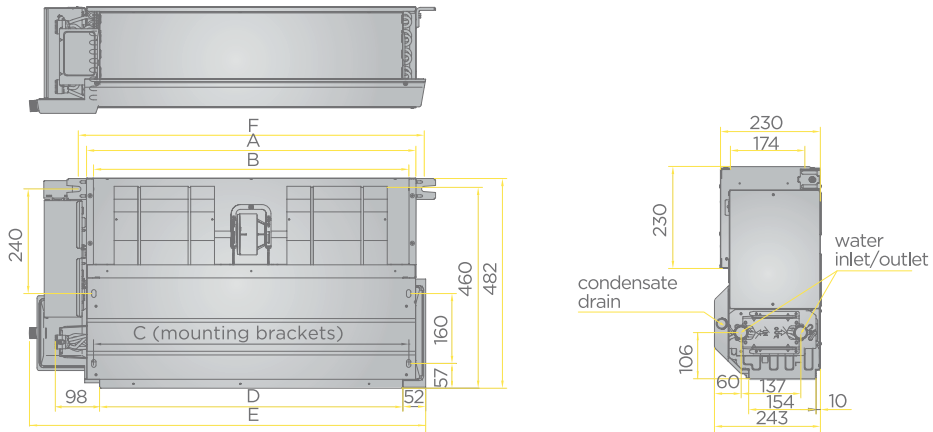
Ducted fan coil units  
**2-PIPE SYSTEM - 3-ROW EXCHANGER, DC VERSION;**  
**MODEL: NXKT3-VxxxG12-CL**

Model			NXKT3- V700G12-CL	NXKT3- V800G12-CL	NXKT3- V1000G12-CL	NXKT3- V1200G12-CL	NXKT3- V1400G12-CL
Power supply		V/Ph/Hz	230/1/50				
Airflow	Max	m <sup>3</sup> /h	1190	1400	1650	1750	2250
	Med	m <sup>3</sup> /h	1015	1082	1201	1222	1952
	Min	m <sup>3</sup> /h	806	816	746	912	1675
External static pressure		Pa	12				
Cooling capacity at 7/12°C	Max	kW	6.5	8.02	9.05	10	11.1
	Med	kW	6.04	6.65	7.1	7.25	10.5
	Min	kW	5.09	5.37	4.97	6.02	9.77
Water flow	Max	m <sup>3</sup> /h	1.19	1.36	1.58	1.69	2.02
	Med	m <sup>3</sup> /h	1.05	1.17	1.26	1.44	1.84
	Min	m <sup>3</sup> /h	0.91	0.94	0.88	1.16	1.71
Water pressure drop	Max	kPa	22	32	32	27	33
	Med	kPa	19	26	22	20.7	29.29
	Min	kPa	15.6	18	11.7	14	25.92
Input power	Max	W	70	67	114	110	110
	Med	W	48	40	50	51	85
	Min	W	30	22	18	28	62
Heating capacity at 45/40°C	Max	kW	7.6	9.4	11	11.83	12.6
	Med	kW	6.96	7.36	8.02	8.32	11.9
	Min	kW	5.81	5.82	5.41	6.78	10.5
Water flow	Max	m <sup>3</sup> /h	1.38	1.53	1.78	1.94	2.23
	Med	m <sup>3</sup> /h	1.22	1.26	1.36	1.64	2.04
	Min	m <sup>3</sup> /h	1.05	0.98	0.92	1.3	1.84
Water pressure drop	Max	kPa	25	41	33	26	34
	Med	kPa	21.1	25.3	21.5	20.1	30.4
	Min	kPa	16.2	16.3	10.9	13.3	25.2
Input power	Max	W	75	72	119	119	119
	Med	W	52	42	54	54	90
	Min	W	33	22	19	29	64
Sound pressure level	Max	dB(A)	51	49.5	54.5	49.5	53
	Med	dB(A)	45	43	46	42.5	50
	Min	dB(A)	40	36	34	33.5	46.5
Nominal input current		A	0.7	0.7	1	0.7	1
Heat exchanger	No. of rows		3				
	Max operating pressure	MPa	1.6				
Unit	Dimensions (W x H x L)	mm	1178*243*482	1368*243*482	1368*243*482	1658*243*482	1898*243*482
	Weight	kg	23.5	27.7	27.7	33.8	37
Pipe connection diameter	inlet/outlet	inch	RC3/4				
	Drainage	inch	ZG3/4				

# Unit dimensions

Ducted fan coil units

2-PIPE SYSTEM; MODEL: NXKT3-VxxxG12-CL



Model / size [mm]	A	B	C	D	E	F
NXKT3-V200G12-CL	475	443	442	415	632	513
NXKT3-V300G12-CL	620	588	587	560	773	658
NXKT3-V400G12-CL NXKT3-V500G12-CL	755	723	722	695	908	793
NXKT3-V600G12-CL	850	818	817	790	1003	888
NXKT3-V700G12-CL	1025	993	992	965	1178	1063
NXKT3-V800G12-CL NXKT3-V1000G12-CL	1215	1183	1182	1155	1368	1253
NXKT3-V1200G12-CL	1505	1473	1472	1445	1658	1543
NXKT3-V1400G12-CL	1745	1713	1712	1685	1898	1783

# MODELS: NXKT2-Vxxx, NXKT4-Vxxx

## Standard features



DC fan motor



Heating/cooling



Quiet operation



Wired controller



2-pipe systems



Wireless controller



Group control available



BMS

## Optional functions

## Technical data

### Ducted fan coil units

### 2-PIPE SYSTEM - 2-ROW EXCHANGER, DC VERSION;

### MODEL: NXKT2-Vxxx

Model			NXKT2-V200	NXKT2-V300	NXKT2-V400	NXKT2-V500
Power supply		V/Ph/Hz	230/1/50			
Airflow	Max	m <sup>3</sup> /h	439	615	792	887
	Med	m <sup>3</sup> /h	295	439	622	620
	Min	m <sup>3</sup> /h	221	310	413	443
External static pressure		Pa	12			
Cooling capacity at 7/12°C	Max	kW	2.02	2.82	3.31	3.83
	Med	kW	1.52	2.33	2.78	3.16
	Min	kW	1.17	1.79	2.14	2.55
Water flow	Max	m <sup>3</sup> /h	0.37	0.51	0.59	0.68
	Med	m <sup>3</sup> /h	0.28	0.41	0.5	0.56
	Min	m <sup>3</sup> /h	0.22	0.32	0.38	0.46
Water pressure drop	Max	kPa	6.3	14.2	19.4	23.7
	Med	kPa	3.6	10.5	14.8	17.1
	Min	kPa	2.2	7.3	9.6	11.9
Input power	Max	W	18	25	29	42
	Med	W	9	15	16	20
	Min	W	6	11	9	11
Heating capacity at 45/40°C	Max	kW	2.57	3.56	4.19	4.84
	Med	kW	1.89	2.8	3.42	3.9
	Min	kW	1.47	2.08	2.49	3.01
Water flow	Max	m <sup>3</sup> /h	0.47	0.62	0.72	0.84
	Med	m <sup>3</sup> /h	0.34	0.5	0.6	0.69
	Min	m <sup>3</sup> /h	0.27	0.37	0.45	0.53
Water pressure drop	Max	kPa	5.64	10.5	16.2	30.8
	Med	kPa	4.5	10.3	16.6	32.4
	Min	kPa	2.9	6.3	10	20
Input power	Max	W	19	25	32	45
	Med	W	9	15	17	22
	Min	W	7	11	9	12
Sound pressure level	Max	dB(A)	37.5	40.3	41.1	44.6
	Med	dB(A)	27.4	33.1	33.7	36.8
	Min	dB(A)	24	26.7	26.8	29.4
Nominal input current		A	0.3	0.3	0.4	0.5
Heat exchanger	No. of rows		2			
	Max operating pressure	MPa	1.6			
Unit	Dimensions (W x H x L)	mm	741×241×522	841×241×522	941×241×522	941×241×522
	Weight	kg	16.5	18.5	20	20
Pipe connection diameter	inlet/outlet	inch	RC3/4			
	Drainage	inch	R3/4			

Ducted fan coil units  
**2-PIPE SYSTEM - 2-ROW EXCHANGER, DC VERSION;**  
**MODEL: NXKT2-Vxxx**

Model			NXKT2-V600	NXKT2-V800	NXKT2-V1000	NXKT2-V1200
Power supply		V/Ph/Hz	230/1/50			
Airflow	Max	m <sup>3</sup> /h	1081	1492	1824	2327
	Med	m <sup>3</sup> /h	821	1071	1332	1669
	Min	m <sup>3</sup> /h	586	797	906	1135
External static pressure		Pa	12			
Cooling capacity at 7/12°C	Max	kW	4.78	6.7	7.92	9.83
	Med	kW	4.01	5.49	6.62	7.7
	Min	kW	3.09	4.45	5.15	5.86
Water flow	Max	m <sup>3</sup> /h	0.85	1.19	1.43	1.74
	Med	m <sup>3</sup> /h	0.69	0.96	1.17	1.42
	Min	m <sup>3</sup> /h	0.54	0.8	0.91	1.12
Water pressure drop	Max	kPa	14.2	15.1	23.2	50.3
	Med	kPa	10	10.9	16.4	30.4
	Min	kPa	6	7.8	10.9	21.7
Input power	Max	W	53	62	93	136
	Med	W	25	28	42	66
	Min	W	12	16	19	30
Heating capacity at 45/40°C	Max	kW	6.25	8.39	9.92	12.5
	Med	kW	5.17	6.64	7.94	9.26
	Min	kW	4.03	5.2	5.86	6.85
Water flow	Max	m <sup>3</sup> /h	1.1	1.46	1.69	2.17
	Med	m <sup>3</sup> /h	0.91	1.17	1.38	1.79
	Min	m <sup>3</sup> /h	0.7	0.91	1.01	1.34
Water pressure drop	Max	kPa	12.3	13.2	19.7	60.7
	Med	kPa	14.2	13.1	18.9	46.2
	Min	kPa	8.9	8.3	11.1	29.3
Input power	Max	W	58	66	100	136
	Med	W	27	30	44	66
	Min	W	13	16	19	30
Sound pressure level	Max	dB(A)	46.1	47.7	50.2	50.9
	Med	dB(A)	38.9	39.4	43	44
	Min	dB(A)	29.9	31.1	33	33.8
Nominal input current		A	0.6	0.6	0.8	1
Heat exchanger	No. of rows		2			
	Max operating pressure	MPa	1.6			
Unit	Dimensions (W x H x L)	mm	1161×241×522	1461×241×522	1566×241×522	1856×241×522
	Weight	kg	22.2	31.4	32.5	37.5
Pipe connection diameter	inlet/outlet	inch	RC3/4			
	Drainage	inch	R3/4			

Ducted fan coil units  
**2-PIPE SYSTEM - 4-ROW EXCHANGER, DC VERSION;**  
**MODEL: NXKT4-Vxxx**

Model			NXKT4-V200	NXKT4-V300	NXKT4-V400	NXKT4-V500
Power supply		V/Ph/Hz	230/1/50			
Airflow	Max	m <sup>3</sup> /h	441	627	778	884
	Med	m <sup>3</sup> /h	297	468	537	642
	Min	m <sup>3</sup> /h	227	338	349	461
External static pressure		Pa	12			
Cooling capacity at 7/12°C	Max	kW	2.22	3.19	4.06	4.46
	Med	kW	1.59	2.58	3.26	3.56
	Min	kW	1.2	1.87	2.41	2.78
Water flow	Max	m <sup>3</sup> /h	0.4	0.57	0.72	0.8
	Med	m <sup>3</sup> /h	0.3	0.47	0.59	0.63
	Min	m <sup>3</sup> /h	0.23	0.34	0.43	0.5
Water pressure drop	Max	kPa	2.44	5.2	8.4	11.6
	Med	kPa	1.52	3.6	5.9	8.1
	Min	kPa	1	2.4	3.49	5.6
Input power	Max	W	17	21	29	43
	Med	W	9	12	16	23
	Min	W	6.0	7	9	14
Heating capacity at 45/40°C	Max	kW	2.81	3.88	4.8	5.44
	Med	kW	2.0	3.09	3.42	4.23
	Min	kW	1.54	2.35	2.49	3.23
Water flow	Max	m <sup>3</sup> /h	0.51	0.67	0.84	0.96
	Med	m <sup>3</sup> /h	0.37	0.56	0.68	0.76
	Min	m <sup>3</sup> /h	0.29	0.42	0.51	0.57
Water pressure drop	Max	kPa	2.0	5	11.2	10.6
	Med	kPa	1.8	4.3	7	9.8
	Min	kPa	1.2	2.8	4.2	6.7
Input power	Max	W	18	23	32	41
	Med	W	9	13	18	22
	Min	W	7	8	10	14
Sound pressure level	Max	dB(A)	37.3	39.6	41.1	44.8
	Med	dB(A)	27.4	32.5	34.5	37.2
	Min	dB(A)	22.2	25	26.4	29.8
Nominal input current		A	0.3	0.3	0.4	0.4
Heat exchanger	No. of rows		4			
	Max operating pressure	MPa	1.6			
Unit	Dimensions (W x H x L)	mm	741×241×522	841×241×522	941×241×522	941×241×522
	Weight	kg	17.8	20	21.9	21.9
Pipe connection diameter	inlet/outlet	inch	RC3/4			
	Drainage	inch	R3/4			

Ducted fan coil units  
**2-PIPE SYSTEM - 4-ROW EXCHANGER, DC VERSION;**  
**MODEL: NXKT4-Vxxx**

Model			NXKT4-V600	NXKT4-V800	NXKT4-V1000	NXKT4-V1200
Power supply		V/Ph/Hz	230/1/50			
Airflow	Max	m <sup>3</sup> /h	1056	1506	1813	2134
	Med	m <sup>3</sup> /h	793	1084	1341	1617
	Min	m <sup>3</sup> /h	575	822	932	1119
External static pressure		Pa	12			
Cooling capacity at 7/12°C	Max	kW	5.87	6.65	7.98	9.76
	Med	kW	4.78	5.04	6.19	7.81
	Min	kW	3.68	3.61	4.37	5.72
Water flow	Max	m <sup>3</sup> /h	1.06	1.19	1.47	1.78
	Med	m <sup>3</sup> /h	0.86	0.88	1.12	1.41
	Min	m <sup>3</sup> /h	0.65	0.64	0.78	1.02
Water pressure drop	Max	kPa	19.4	8.8	13.8	22.3
	Med	kPa	13.6	5.1	8.6	15
	Min	kPa	8.5	2.8	4.8	9.0
Input power	Max	W	51	70	93	120
	Med	W	25	27	49	50
	Min	W	12	16	21	22
Heating capacity at 45/40°C	Max	kW	6.47	8.36	9.89	11.7
	Med	kW	5.18	6.32	7.05	9.32
	Min	kW	3.91	4.77	5.13	6.76
Water flow	Max	m <sup>3</sup> /h	1.11	1.43	1.68	2.01
	Med	m <sup>3</sup> /h	0.9	1.12	1.35	1.6
	Min	m <sup>3</sup> /h	0.67	0.86	1.0	1.15
Water pressure drop	Max	kPa	16.3	7.7	22	20
	Med	kPa	12.6	7	18.9	16.9
	Min	kPa	7.41	4.3	11.1	9.62
Input power	Max	W	56	70	102	120
	Med	W	27	30	46	55
	Min	W	13	16	20	24
Sound pressure level	Max	dB(A)	46.1	47.4	50.4	50.7
	Med	dB(A)	39.4	39.1	42.7	43.8
	Min	dB(A)	30.7	32.1	33.1	34.5
Nominal input current		A	0.5	0.6	0.9	1
Heat exchanger	No. of rows		4			
	Max operating pressure	MPa	1.6			
Unit	Dimensions (W x H x L)	mm	1161×241×522	1461×241×522	1566×241×522	1856×241×522
	Weight	kg	25	34.8	36.4	41.9
Pipe connection diameter	inlet/outlet	inch	RC3/4			
	Drainage	inch	R3/4			



# MODEL: NXKT3-VxxxF

## Standard features



DC fan motor



Heating/cooling



Quiet operation



Wired controller



4-pipe systems

## Optional functions



Wireless controller



Group control available



BMS

## Technical data

### Ducted fan coil units

### 4-PIPE SYSTEM - 4-ROW EXCHANGER, DC VERSION; MODEL: NXKT3-VxxxF

Model			NXKT3-V200F	NXKT3-V300F	NXKT3-V400F	NXKT3-V500F
Power supply		V/Ph/Hz	230/1/50			
Airflow	Max	m <sup>3</sup> /h	470	639	751	955
	Med	m <sup>3</sup> /h	382	493	628	779
	Min	m <sup>3</sup> /h	285	374	457	589
External static pressure		Pa	12			
Cooling capacity at 7/12°C	Max	kW	2.01	2.76	3.37	3.49
	Med	kW	1.76	2.34	3.03	3.1
	Min	kW	1.4	1.97	2.33	2.53
Water flow	Max	m <sup>3</sup> /h	0.26	0.46	0.55	0.61
	Med	m <sup>3</sup> /h	0.17	0.38	0.46	0.48
	Min	m <sup>3</sup> /h	0.15	0.3	0.31	0.4
Water pressure drop	Max	kPa	11	23.04	58.7	142.23
	Med	kPa	9	17.28	55.2	113.39
	Min	kPa	6.5	12.72	51	79.73
Input power	Max	W	17	22	32	35
	Med	W	12	14	21	25
	Min	W	8	9	13	13
Heating capacity at 50/40°C	Max	kW	2.33	3.07	3.8	4.51
	Med	kW	2.1	2.72	3.49	4.03
	Min	kW	1.79	2.37	2.98	3.43
Water flow	Max	m <sup>3</sup> /h	0.23	0.31	0.39	0.42
	Med	m <sup>3</sup> /h	0.2	0.3	0.34	0.37
	Min	m <sup>3</sup> /h	0.18	0.28	0.3	0.31
Water pressure drop	Max	kPa	8.52	13.8	18.4	31
	Med	kPa	7.2	11.28	16.2	22.71
	Min	kPa	5.76	9	12.3	17.83
Input power	Max	W	17	23	34	37
	Med	W	12	25	22	26
	Min	W	9	10	13	14
Sound pressure level	Max	dB(A)	35	36	38	43
	Med	dB(A)	25	29	32	35
	Min	dB(A)	23	23	24	27
Nominal input current		A	0.3	0.3	0.3	0.4
Heat exchanger	No. of rows		3			
	Max operating pressure	MPa	1.6			
Unit	Dimensions (W x H x L)	mm	741×241×522	841×241×522	941×241×522	941×241×522
	Weight	kg	17.2	19.5	21.5	21.5
Pipe connection diameter	inlet/outlet	inch	RC3/4			
	Drainage	inch	R3/4			

Ducted fan coil units  
**4-PIPE SYSTEM - 4-ROW EXCHANGER, DC VERSION;**  
**MODEL: NXKT3-VxxxF**

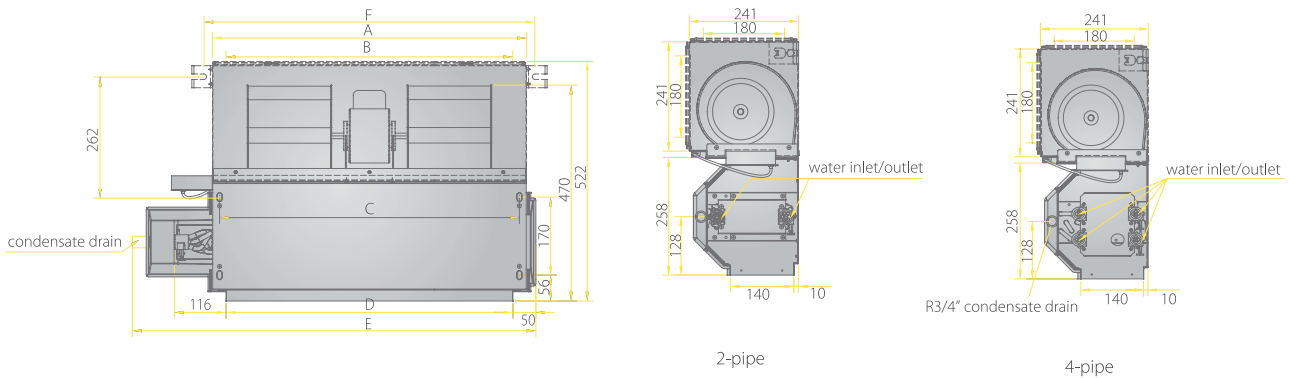
Model			NXKT3-V600F	NXKT3-V800F	NXKT3-V1000F	NXKT3-V1200F
Power supply		V/Ph/Hz	230/1/50			
Airflow	Max	m <sup>3</sup> /h	1204	1349	1749	2099
	Med	m <sup>3</sup> /h	955	1062	1350	1698
	Min	m <sup>3</sup> /h	719	820	1006	1145
External static pressure		Pa	12			
Cooling capacity at 7/12°C	Max	kW	4.82	6.16	7.15	7.36
	Med	kW	4.29	5.38	6.17	6.72
	Min	kW	3.61	4.55	5.21	5.54
Water flow	Max	m <sup>3</sup> /h	0.81	1.02	1.13	1.52
	Med	m <sup>3</sup> /h	0.67	0.81	1.05	1.24
	Min	m <sup>3</sup> /h	0.52	0.65	0.66	0.93
Water pressure drop	Max	kPa	24.72	26.28	32.04	41.28
	Med	kPa	19.92	20.64	24.36	34.92
	Min	kPa	14.76	15.48	18.12	24.72
Input power	Max	W	59	67	114	110
	Med	W	34	40	50	51
	Min	W	18	22	18	28
Heating capacity at 50/40°C	Max	kW	5.5	6.04	7.22	8.89
	Med	kW	4.99	5.41	6.43	8.09
	Min	kW	4.35	4.73	5.62	6.73
Water flow	Max	m <sup>3</sup> /h	0.54	0.66	0.76	0.92
	Med	m <sup>3</sup> /h	0.47	0.58	0.75	0.8
	Min	m <sup>3</sup> /h	0.37	0.53	0.6	0.64
Water pressure drop	Max	kPa	50.04	11.04	17.28	27.6
	Med	kPa	42.24	8.88	14.16	23.28
	Min	kPa	33	10.44	11.04	16.92
Input power	Max	W	64	72	119	119
	Med	W	36	42	54	54
	Min	W	19	22	19	29
Sound pressure level	Max	dB(A)	46	46	48	47
	Med	dB(A)	39	38	41	40
	Min	dB(A)	30	30	31	30
Nominal input current		A	0.5	0.5	0.7	0.8
Heat exchanger	No. of rows		3			
	Max operating pressure	MPa	1.6			
Unit	Dimensions (W x H x L)	mm	1161×241×522	1461×241×522	1566×241×522	1856×241×522
	Weight	kg	24.2	33.5	35.2	39.7
Pipe connection diameter	inlet/outlet	inch	RC3/4			
	Drainage	inch	R3/4			

# Unit dimensions

Ducted fan coil units

2-PIPE and 4-PIPE SYSTEMS;

MODEL: NXKT2-Vxxx; NXKT4-Vxxx; NXKT3-VxxxF



Model\Size (mm)	A	B	C	D	E	F
NXKT2-V200 NXKT4-V200 NXKT3-V200F	545	485	513	485	741	583
NXKT2-V300 NXKT4-V300 NXKT3-V300F	645	585	613	585	841	683
NXKT2-V400 NXKT4-V400 NXKT3-V400F	745	685	713	685	941	783
NXKT2-V500 NXKT4-V500 NXKT3-V500F	745	685	713	685	941	783
NXKT2-V600 NXKT4-V600 NXKT3-V600F	965	905	933	905	1161	1003
NXKT2-V800 NXKT4-V800 NXKT3-V800F	1265	1205	1233	1205	1461	1303
NXKT2-V1000 NXKT4-V1000 NXKT3-V1000F	1370	1310	1338	1310	1566	1408
NXKT2-V1200 NXKT4-V1200 NXKT3-V1200F	1660	1600	1628	1600	1856	1698

# WALL-MOUNTED FAN COIL UNITS



RM05/BC9(T)E-A

## Standard features



Heating/cooling



Quiet operation



DC fan motor



Wireless controller



2-pipe systems



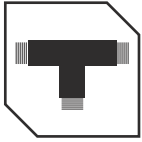
BMS

## Optional functions



Group control  
available

**Noxa wall-mounted fan coil units** represent innovative solutions for room air-conditioning systems, combining high performance and energy saving. The wall-mounted units are ideal for commercial buildings, hotels, offices and residential applications. These units provide quiet operation, improved airflow control and lower energy consumption as a result of applying DC fan motors. NOXA wall-mounted fan coil units feature a modern, stylish design that fits perfectly into the aesthetics of contemporary interiors. Available as a 2-pipe version with a high-efficiency heat exchanger, these units come as standard with an integrated filter and a 3-way valve.



### 3-way valve

Noxa wall-mounted fan coil units represent innovative solutions for room air-conditioning systems, combining high performance and energy saving. The wall-mounted units are ideal for buildings.



### Swing function

Noxa wall-mounted fan coils are equipped with the Swing function, which increases the ease of use of the fan coils and provides comfort for users.

## Technical data

### Wall-mounted fan coil units

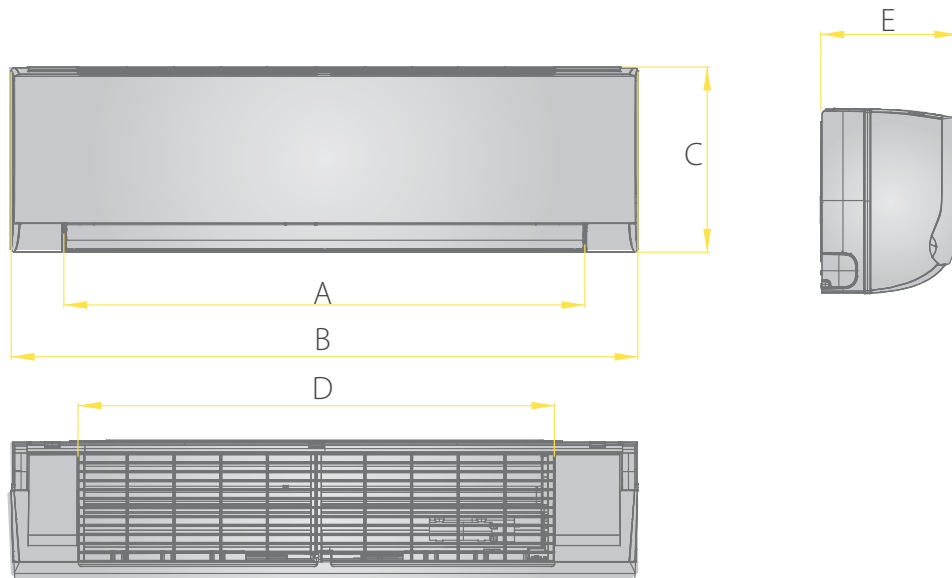
#### 2-PIPE SYSTEM - DC VERSION; MODEL: NXKG-Vxxx-C

Model			NXKG-V250-C	NXKG-V300-C	NXKG-V400-C	NXKG-V500-C	NXKG-V600-C
Power supply (voltage/phases/frequency)		V/Ph/Hz	230/1/50				
Airflow	Max	m <sup>3</sup> /h	492	585	825	862	979
	Med	m <sup>3</sup> /h	454	485	689	741	849
	Min	m <sup>3</sup> /h	400	413	590	634	717
Cooling capacity at 7/12°C	Max	kW	2.7	2.91	3.81	3.96	4.87
	Med	kW	2.59	2.54	3.30	3.52	4.26
	Min	kW	2.39	2.19	2.88	3.08	3.79
Water flow	Max	m <sup>3</sup> /h	0.48	0.51	0.67	0.77	0.85
	Med	m <sup>3</sup> /h	0.46	0.45	0.57	0.68	0.72
	Min	m <sup>3</sup> /h	0.42	0.38	0.51	0.61	0.65
Water pressure drop	Max	kPa	31.6	37.2	56.8	41.2	50.7
	Med	kPa	28.6	29.7	41.2	33.5	39.5
	Min	kPa	25.4	23.4	33	27.1	33.7
Input power	Max	W	13	15	34	26	38
	Med	W	11	11	22	18	26
	Min	W	10	9	15	13	18
Heating capacity at 45/40°C	Max	kW	2.94	3.23	4.3	4.84	5.26
	Med	kW	2.02	2.77	3.65	3.81	4.1
	Min	kW	1.86	2.42	3.09	3.26	3.5
Water flow	Max	m <sup>3</sup> /h	0.51	0.56	0.73	0.84	0.89
	Med	m <sup>3</sup> /h	0.49	0.49	0.64	0.73	0.8
	Min	m <sup>3</sup> /h	0.46	0.42	0.56	0.64	0.68
Water pressure drop	Max	kPa	37.5	40.6	61.9	43.7	51.7
	Med	kPa	34.9	31.5	47.5	33.8	42.8
	Min	kPa	30.2	25.1	35.7	26.3	33
Input power	Max	W	12	14	31	22	33
	Med	W	11	10	20	16	23
	Min	W	9	8	14	12	16
Sound pressure level	Max	dB(A)	32	32	45	38	44
	Med	dB(A)	30	27	39	34	40
	Min	dB(A)	27	23	35	30	35
Nominal input current		A	0.16	0.19	0.28	0.32	0.39
Heat exchanger	No. of rows		2				
	Max operating pressure	MPa	1.6				
Unit	Dimensions (W x H x L)	mm	915×290×233	915×290×233	915×290×233	1072×315×237	1072×315×237
	Weight	kg	12.7	12.7	12.7	15.1	14.9
Pipe connection diameter	inlet/outlet	inch	G3/4				
	drainage	mm	ODØ20				

# Unit dimensions

Wall-mounted fan coil units

2-PIPE SYSTEM; MODEL: NXKG-Vxxx-C



Model / size [mm]	A	B	C	D	E
NXKG-V250-C	732	915	290	663	233
NXKG-V300-C					
NXKG-V400-C					
NXKG-V500-C	892	1072	315	813	237
NXKG-V600-C					

# CEILING-FLOOR FAN COIL UNITS



Modern **Noxa ceiling-floor fan coil units** combine performance with installation flexibility to provide effective space heating and cooling. Both H2 and H3 versions are designed for energy efficiency, quiet operation and a stylish design that fits into any interior.



**H2 version** - under-ceiling installation



**H2 version** - floor installation



**H3 version** - concealed installation

## Standard features



Heating/cooling



Quiet operation



Wired controller



2-pipe systems



4-pipe systems



### Easy installation and maintenance

The ceiling-floor units are designed for quick and simple installation. The H2 version enables flexible installation either at the floor level or close to the ceiling, making it possible to adapt the unit to different room layouts and architectural requirements. Furthermore, easy access to the unit's key components facilitates quick and trouble-free maintenance of the entire system.



KJRP-75A/BK-E

### Functional controls

A specific controller for the integral control of ceiling-floor fan coil units. Designed for maximum functionality, features cooling, heating and auto modes as well as a seven fan speeds for the comfort of energy efficiency. Installation flexibility - units can be installed in the cabinet for a discreet look or directly on the wall for easy access and convenient use.

# Technical data

## Ceiling-floor fan coil units

### 2-PIPE SYSTEM - DC VERSION, 3-ROW EXCHANGER;

### MODELS: NXKH2-Vxxx-R3; NXKH3-Vxxx-R3

Model			NXKH2-V150-R3, NXKH3-V150-R3	NXKH2-V250-R3, NXKH3-V250-R3	NXKH2-V350-R3, NXKH3-V350-R3	NXKH2-V500-R3, NXKH3-V500-R3	NXKH2-V700-R3, NXKH3-V700-R3	NXKH2-V800-R3, NXKH3-V800-R3
Power supply (voltage/phases/frequency)		V/Ph/Hz	230/1/50					
Airflow	Max	m <sup>3</sup> /h	255	400	595	790	1190	1360
	Med	m <sup>3</sup> /h	170	315	470	580	855	1015
	Min	m <sup>3</sup> /h	150	190	340	410	505	685
External static pressure		Pa	0					
Cooling capacity at 7/12°C	Max	kW	1.5	2.35	3.5	4.3	5.6	7.35
	Med	kW	1.06	1.94	2.89	3.48	4.47	6.12
	Min	kW	0.92	1.19	2.22	2.71	3.14	4.57
Water flow	Max	m <sup>3</sup> /h	0.26	0.4	0.6	0.74	0.96	1.27
	Med	m <sup>3</sup> /h	0.18	0.34	0.5	0.6	0.77	1.05
	Min	m <sup>3</sup> /h	0.16	0.21	0.38	0.47	0.54	0.79
Water pressure drop	Max	kPa	13.94	13.33	34.08	54.22	50.67	44.12
	Med	kPa	8.21	9.98	24.63	36.22	33.38	33.7
	Min	kPa	6.16	4.59	15.39	22.78	17.73	19.41
Input power	Max	W	15	17	26	50	96	113
	Med	W	9	12	16	25	43	51
	Min	W	8	7	10	14	18	22
Heating capacity at 45/40°C	Max	kW	1.57	2.6	3.8	4.7	6	8.05
	Med	kW	1.07	2.11	3.1	3.7	4.77	6.46
	Min	kW	0.92	1.34	2.35	2.81	3.36	4.71
Water flow	Max	m <sup>3</sup> /h	0.27	0.45	0.65	0.81	1.04	1.39
	Med	m <sup>3</sup> /h	0.19	0.37	0.53	0.64	0.83	1.12
	Min	m <sup>3</sup> /h	0.16	0.23	0.4	0.48	0.59	0.82
Water pressure drop	Max	kPa	15.1	14.31	35.13	54.29	55.49	46.88
	Med	kPa	7.63	10.33	24.41	36.87	37.66	31.9
	Min	kPa	5.84	4.5	14.82	22.32	19.27	18.2
Sound power level	Max	W	47	43	52	59	64	63
	Med	W	36	37	44	51	56	58
	Min	W	34	29	36	43	45	49
Sound pressure level	Max	dB(A)	34	29	38	46	50	51
	Med	dB(A)	24	24	32	38	42	44
	Min	dB(A)	21	18	23	30	31	33
Nominal input current		A	0.18	0.2	0.26	0.49	0.85	0.95
Heat exchanger	No. of rows		3					
	Max operating pressure	MPa	1.6					
H2 model (in casing)	Dimensions (W x H x L)	mm	495×200×790	495×200×1020	495×200×1240	495×200×1240	495×200×1360	495×200×1360
	Weight	kg	18	21.5	25.5	25.5	28.5	32.5
H3 model (without casing)	Dimensions (W x H x L)	mm	455×200×628	455×200×858	455×200×1078	455×200×1078	455×200×1198	550×200×1198
	Weight	kg	11.8	13.9	17.3	17.3	19.6	23.1
Pipe connection diameter	inlet/outlet	inch	G3/4					
	drainage	mm	ODØ18					



## Ceiling-floor fan coil units

### 2-PIPE SYSTEM - DC VERSION, 4-ROW EXCHANGER;

### MODELS: NXKH2-Vxxx-R4; NXKH3-Vxxx-R4

Model			NXKH2-V150-R4, NXKH3-V150-R4	NXKH2-V250-R4, NXKH3-V250-R4	NXKH2-V350-R4, NXKH3-V350-R4	NXKH2-V500-R4, NXKH3-V500-R4	NXKH2-V700-R4, NXKH3-V700-R4	NXKH2-800-R4, NXKH3-V800-R4
Power supply (voltage/phases/frequency)		V/Ph/Hz	230/1/50					
Airflow	Max	m <sup>3</sup> /h	255	425	595	800	1190	1300
	Med	m <sup>3</sup> /h	210	300	450	600	875	980
	Min	m <sup>3</sup> /h	150	190	310	420	530	680
External static pressure		Pa	0					
Cooling capacity at 7/12°C	Max	kW	1.95	2.85	3.9	4.85	6.35	8.25
	Med	kW	1.66	2.13	3.2	3.92	5.19	6.65
	Min	kW	1.21	1.41	2.43	2.93	3.62	4.84
Water flow	Max	m <sup>3</sup> /h	0.33	0.49	0.67	0.83	1.09	1.43
	Med	m <sup>3</sup> /h	0.28	0.37	0.55	0.67	0.9	1.14
	Min	m <sup>3</sup> /h	0.21	0.24	0.42	0.51	0.63	0.83
Water pressure drop	Max	kPa	27.2	26.01	37.4	54.33	32.77	71.43
	Med	kPa	20.88	15.06	25.91	36.81	21.75	46.17
	Min	kPa	12.2	7.41	15.37	21.77	11.43	25.39
Input power	Max	W	20	20	29	52	93	102
	Med	W	14	11	17	27	46	52
	Min	W	9	8	12	14	19	22
Heating capacity at 45/40°C	Max	kW	2.05	2.95	4	5.25	7.05	8.37
	Med	kW	1.75	2.15	3.22	4.09	5.61	6.81
	Min	kW	1.25	1.42	2.39	3.04	3.83	4.85
Water flow	Max	m <sup>3</sup> /h	0.35	0.51	0.7	0.91	1.22	1.51
	Med	m <sup>3</sup> /h	0.3	0.37	0.56	0.71	0.98	1.18
	Min	m <sup>3</sup> /h	0.22	0.24	0.43	0.53	0.67	0.83
Water pressure drop	Max	kPa	25.34	24.38	36.5	53.44	37.61	62.61
	Med	kPa	19.65	13.65	25.34	36.54	25.47	41.06
	Min	kPa	10.25	6.64	14.22	20.47	12.5	21.68
Sound power level	Max	W	52	46	52	59	62	63
	Med	W	46	37	45	51	56	57
	Min	W	38	29	36	43	46	47
Sound pressure level	Max	dB(A)	39	32	40	45	50	50
	Med	dB(A)	33	23	34	39	43	43
	Min	dB(A)	25	19	30	30	31	33
Nominal input current		A	0.21	0.22	0.28	0.51	0.79	0.87
Heat exchanger	No. of rows		4					
	Max operating pressure	MPa	1.6					
H2 model (in casing)	Dimensions (W x H x L)	mm	495×200×790	495×200×1020	495×200×1240	495×200×1240	495×200×1360	591×200×1360
	Weight	kg	18.5	22	26.5	26.5	29.5	34.5
H3 model (without casing)	Dimensions (W x H x L)	mm	455×200×628	455×200×858	455×200×1078	455×200×1078	455×200×1198	550×200×1198
	Weight	kg	12.1	14.8	18.2	18.2	20.8	24.3
Pipe connection diameter	inlet/outlet	inch	G3/4					
	drainage	mm	ODØ18					

## Ceiling-floor fan coil units

### 4-PIPE SYSTEM - DC VERSION, 4-ROW EXCHANGER;

### MODELS: NXKH2-VxxxF-R4; NXKH3-VxxxF-R4

Model			NXKH2-V150F-R4, NXKH3-V150F-R4	NXKH2-V250F-R4, NXKH3-V250F-R4	NXKH2-V350F-R4, NXKH3-V350F-R4	NXKH2-V500F-R4, NXKH3-V500F-R4	NXKH2-V700F-R4, NXKH3-V700F-R4	NXKH2-V800F-R4, NXKH3-V800F-R4
Power supply (voltage/phases/frequency)		V/Ph/Hz	230/1/50					
Airflow	Max	m <sup>3</sup> /h	255	425	595	800	1190	1300
	Med	m <sup>3</sup> /h	206	280	461	595	887	969
	Min	m <sup>3</sup> /h	134	158	324	417	564	661
External static pressure		Pa	H2:0 / H3:12					
Cooling capacity at 7/12°C	Max	kW	1.7	2.7	3.8	4.6	6.05	7.65
	Med	kW	1.44	1.94	3.18	3.75	5	6.19
	Min	kW	0.95	1.1	2.32	2.83	3.43	4.54
Water flow	Max	m <sup>3</sup> /h	0.29	0.46	0.65	0.79	1.04	1.31
	Med	m <sup>3</sup> /h	0.25	0.33	0.55	0.64	0.86	1.06
	Min	m <sup>3</sup> /h	0.16	0.19	0.4	0.49	0.59	0.78
Water pressure drop	Max	kPa	18.16	16.97	39.17	56.18	53.66	48.07
	Med	kPa	13.74	9.73	28.35	39.04	36.96	32.56
	Min	kPa	7.5	3.51	16.91	23.84	19.07	18.32
Input power	Max	W	20	20	29	52	92	102
	Med	W	14	11	17	28	46	49
	Min	W	9	8	11	15	19	22
Heating capacity at 45/40°C	Max	kW	1.4	2.3	2.88	3.35	4.6	7.5
	Med	kW	1.23	1.78	2.49	2.88	3.95	6.44
	Min	kW	0.95	1.22	2	2.36	3.02	5.22
Water flow	Max	m <sup>3</sup> /h	0.12	0.2	0.25	0.29	0.39	0.64
	Med	m <sup>3</sup> /h	0.11	0.15	0.21	0.25	0.34	0.55
	Min	m <sup>3</sup> /h	0.08	0.1	0.17	0.2	0.26	0.45
Water pressure drop	Max	kPa	10.74	28.16	55.37	69.57	132.32	71.63
	Med	kPa	8.5	18.45	43	54.65	104.19	56.17
	Min	kPa	5.49	10.08	29.2	38.21	63.73	37.44
Sound power level	Max	W	52	46	52	59	62	63
	Med	W	46	37	45	51	56	57
	Min	W	38	29	36	43	46	47
Sound pressure level	Max	dB(A)	39	32	40	45	50	50
	Med	dB(A)	33	23	34	39	43	43
	Min	dB(A)	25	19	30	30	31	33
Nominal input current		A	0.21	0.22	0.28	0.51	0.79	0.87
Heat exchanger	No. of rows		4					
	Max operating pressure	MPa	1.6					
H2 model (in casing)	Dimensions (W x H x L)	mm	495×200×790	495×200×1020	495×200×1240	495×200×1240	495×200×1360	591×200×1360
	Weight	kg	19	22.5	27	27	30	35
H3 model (without casing)	Dimensions (W x H x L)	mm	455×200×628	455×200×858	455×200×1078	455×200×1078	455×200×1198	550×200×1198
	Weight	kg	12.6	15.3	18.7	18.7	21.3	24.8
Pipe connection diameter	inlet/outlet	inch	cold water: G3/4; hot water: G1/2					
	drainage	mm	ODØ18,5					

# Unit dimensions

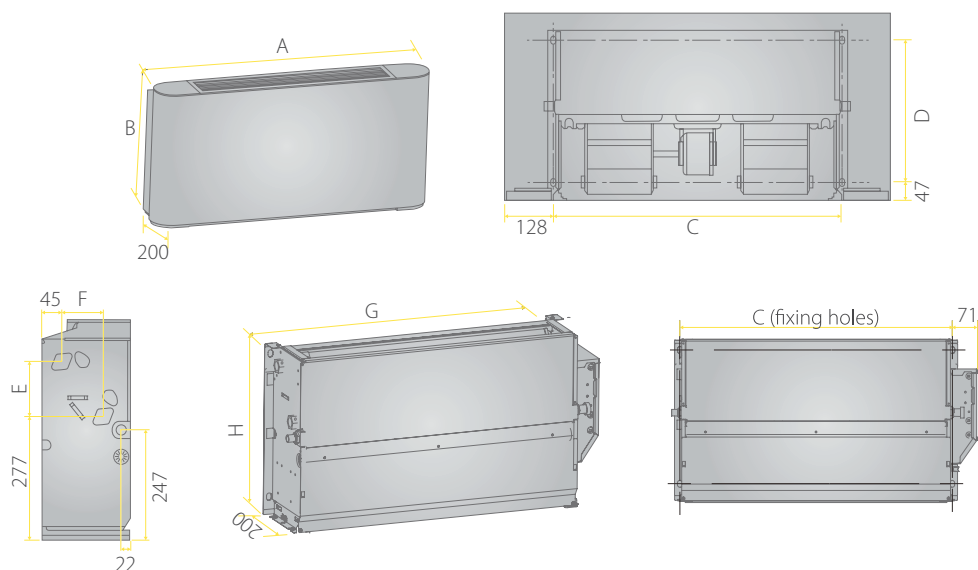
## Ceiling-floor fan coil units

- 2-PIPE SYSTEM;

MODELS: NXKH2/H3-VxxxR3, NXKH2/H3-VxxxR4





- 4-PIPE SYSTEM;

MODEL: NXKH2/H3-VxxxF-R4



Model / size [mm]	A	B	C	D	E	F	G	H
NXKH2/H3-V150R3 NXKH2/H3-V150R4 NXKH2/H3-V150F-R4	790	495	534	375	123	93	628	455
NXKH2/H3-V250R3 NXKH2/H3-V250R4 NXKH2/H3-V250F-R4	1020	495	764	375	123	93	858	455
NXKH2/H3-V350R3 NXKH2/H3-V350R4 NXKH2/H3-V350F-R4	1240	495	984	375	123	93	1078	455
NXKH2/H3-V500R3 NXKH2/H3-V500R4 NXKH2/H3-V500F-R4	1240	495	984	375	123	93	1078	455
NXKH2/H3-V700R3 NXKH2/H3-V700R4 NXKH2/H3-V700F-R4	1360	495	1104	375	123	93	1198	455
NXKH2/H3-V800R3 NXKH2/H3-V800R4 NXKH2/H3-V800F-R4	1360	591	1104	391	219	102	1198	551

# CONTROLS

Type of controller	Controller model		Controller functions	Compatible fan coil models
Wireless	R05/BGE		<ul style="list-style-type: none"> <li>• LCD display</li> <li>• On/Off function</li> <li>• Operation mode switching</li> <li>• Adjustment of the temperature setting by 1°C</li> <li>• Time display</li> <li>• Daily timer</li> </ul>	<ul style="list-style-type: none"> <li>• 4-way cassette Standard/Compact</li> <li>• 1-way cassette</li> <li>• wall-mounted</li> <li>• ceiling-floor + KJRP-75A/BK</li> <li>• ducted model NXKT3-CL + WDC3-86S</li> <li>• other ducted models + CE FCUKZ-03/04-B</li> </ul>
Wired	WDC-86E/K		<ul style="list-style-type: none"> <li>• LCD display</li> <li>• Touch buttons</li> <li>• On/Off function</li> <li>• Adjustment of fan speed</li> <li>• „Follow Me“ function</li> <li>• Daily timer</li> <li>• Controller lock</li> </ul>	<ul style="list-style-type: none"> <li>• 4-way cassette Standard/Compact</li> <li>• 1-way cassette</li> <li>• wall-mounted</li> <li>• other ducted models + CE FCUKZ-03/04-B</li> </ul>
	KJRP-75A/BK		<ul style="list-style-type: none"> <li>• LED display</li> <li>• Touch buttons</li> <li>• On/Off function</li> <li>• Temperature setting</li> <li>• Adjustment of fan speed</li> <li>• Infrared signal receiver</li> </ul>	<ul style="list-style-type: none"> <li>• 4-way cassette Standard/Compact</li> <li>• 1-way cassette</li> <li>• wall-mounted</li> <li>• ceiling-floor</li> </ul>
	WDC3-86S		<ul style="list-style-type: none"> <li>• LCD display</li> <li>• Seven fan speeds</li> <li>• Daily schedule</li> <li>• FCU address setting</li> <li>• Infrared signal receiver</li> <li>• Temperature limits for heating and cooling modes</li> <li>• Group control for up to 16 units</li> </ul>	<ul style="list-style-type: none"> <li>• ducted model NXKT3-CL</li> </ul>

Type of controller	Controller model		Controller functions	Compatible fan coil models
<b>Wired</b>	KJR-18B/E-B and KJR-18B/E-D		<ul style="list-style-type: none"> <li>• Mechanical thermostat</li> <li>• On/Off function</li> <li>• Temperature setting</li> <li>• Adjustment of fan speed</li> <li>• Operation mode switching</li> </ul>	<ul style="list-style-type: none"> <li>• ceiling-floor</li> <li>• all ducted models</li> </ul>
	Small Touch		<ul style="list-style-type: none"> <li>• LCD display</li> <li>• On/Off function</li> <li>• Temperature setting</li> <li>• Adjustment of fan speed</li> <li>• Operation mode switching</li> <li>• Room temperature display</li> </ul>	<ul style="list-style-type: none"> <li>• ceiling-floor</li> <li>• all ducted models</li> </ul>
	Easy Touch		<ul style="list-style-type: none"> <li>• LCD display</li> <li>• On/Off function</li> <li>• Temperature setting</li> <li>• Adjustment of fan speed</li> <li>• Operation mode switching</li> <li>• Room temperature display</li> <li>• Modbus RS 485</li> </ul>	<ul style="list-style-type: none"> <li>• ceiling-floor</li> <li>• all ducted models</li> </ul>
	Color Touch		<ul style="list-style-type: none"> <li>• Color LCD display</li> <li>• On/Off function</li> <li>• Temperature setting</li> <li>• Adjustment of fan speed</li> <li>• Operation mode switching</li> <li>• Room temperature display</li> <li>• Daily timer</li> </ul>	<ul style="list-style-type: none"> <li>• ceiling-floor</li> <li>• all ducted models</li> </ul>
<b>Group controller</b>	KJR-150A		<ul style="list-style-type: none"> <li>• The indoor unit group controller enables simultaneous control of all units in a group. The maximum number of units in one group is 16. When using the group controller, individual control of the units by wired or wireless remote control is still possible. Wired controller model WDC-86E/K should be connected to the group controller.</li> </ul>	<ul style="list-style-type: none"> <li>• 4-way cassette Standard/Compact</li> <li>• 1-way cassette</li> <li>• wall-mounted</li> <li>• ceiling-floor</li> <li>• ducted model NXKT3-CL</li> <li>• other ducted models + CE FCUKZ-03/04-B</li> </ul>
<b>Central</b>	CCM30		<ul style="list-style-type: none"> <li>• LCD display, touch buttons</li> <li>• Individual or group control</li> <li>• Adjustment of the temperature setting by 0.5°C</li> <li>• Adjustment of fan speed</li> <li>• Operation mode switching</li> <li>• Weekly timer</li> <li>• Modbus RS 485</li> </ul>	<ul style="list-style-type: none"> <li>• 4-way cassette Standard/Compact</li> <li>• 1-way cassette</li> <li>• wall-mounted</li> <li>• ceiling-floor</li> <li>• ducted model NXKT3-CL</li> <li>• other ducted models + CE FCUKZ-03/04-B</li> </ul>



N/02/2025

**NOXA certifies:**

all products



@noxabehappy



@noxapolska



noxa.pl